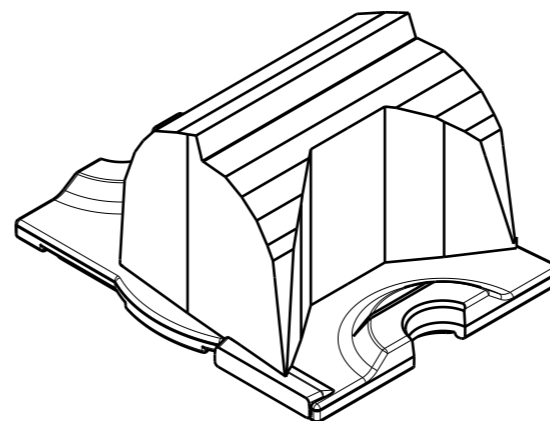
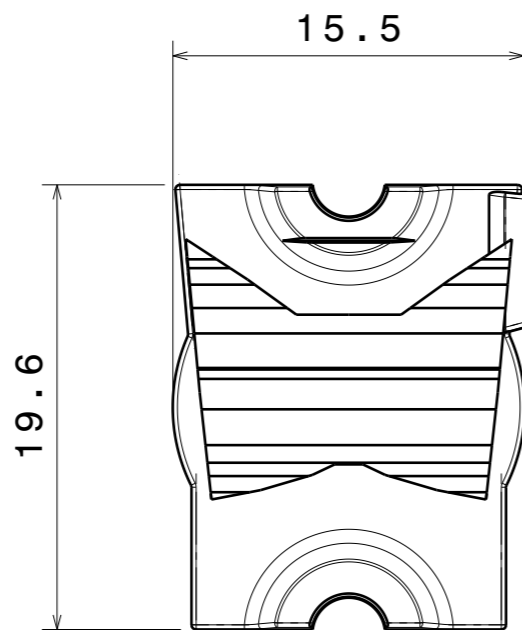


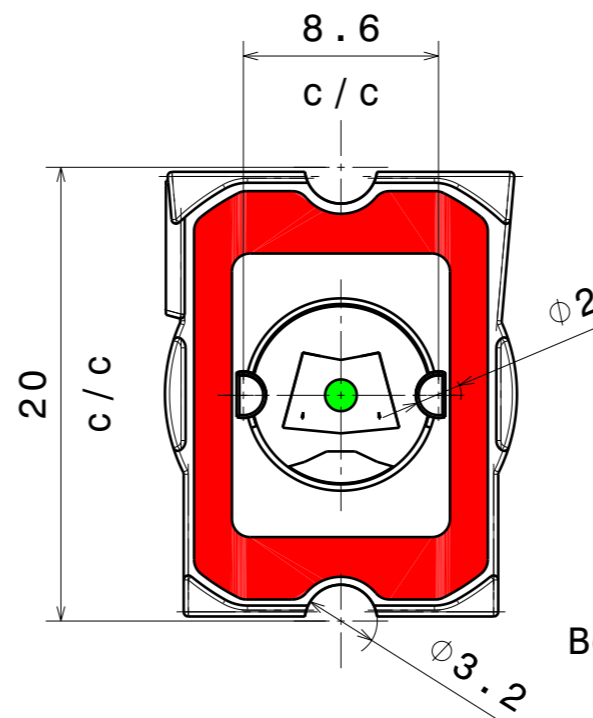
Front view



Isometric view
Scale: 3:1



Top view



Bottom view

CA11426_STRADA-T-DW

COMPONENTS

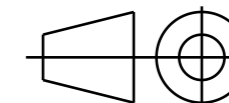
INDEX	PART	TYPE	MATERIAL	COLOR / COATING
1	C11425_STRADA-T-DW		PMMA	clear
2	C10775_VOSU-WU-M-365-TAPE		Tape	black

MECHANICAL DRAWING

PRODUCT
STRADA

Plastic moulding general tolerances according to DIN 16901-130 and applies if not otherwise shown in the drawing. Silicone moulding general tolerances according to ISO 3302-1 Class M3 and applies if not otherwise shown in the drawing.

FIRST ANGLE PROJECTION:



LEDiL®

This drawing is the property of LEDiL Oy. It may not be copied or otherwise distributed without prior written permission from LEDiL Oy.

SCALE 3:1

WEIGHT 1,4 g

A3 SHEET 1/1

Notes

	PCB or heatsink level.
	LED location
	Ensure LED fitting from a product specific 3D model available from www.ledil.com
	For more details about installation please see LEDiL Installation Guide on www.ledil.com